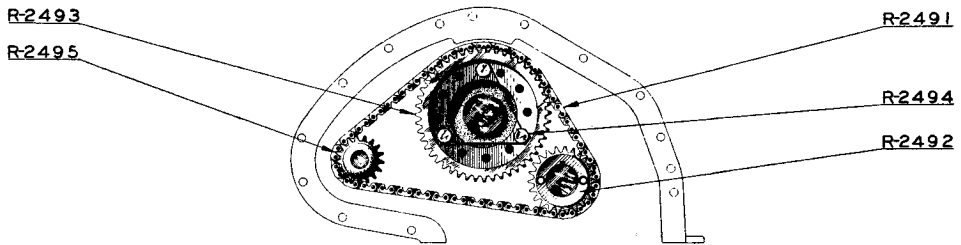
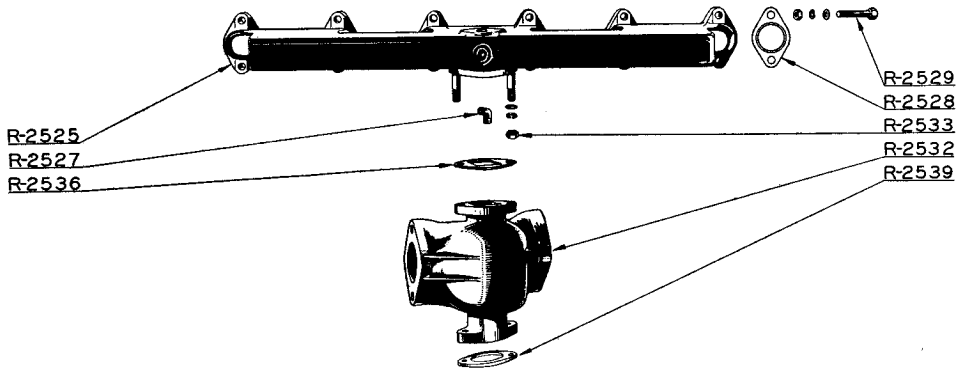


Code Word	Reference Number	Drawing Number	Description of Part	Number Used	Price Each
TIMING AND GENERATOR GEARS AND CHAIN					
NIYNK	R-2491	35247	Silent chain (Ramsey chain—59 link, 1/2" pitch) . . .	1	\$6.60
NIZBA	R-2492	34023	Crankshaft sprocket (18 teeth, 1/2" pitch)	1	4.70
NIZON		34055	Crankshaft sprocket shim. (.007")10
NIZVU		34056	Crankshaft sprocket shim. (.016")10
NOABK		34054	Crankshaft sprocket thrust washer	1	.45
NOAGP		12x223	Crankshaft sprocket Woodruff key (#9)	1	.02q
NOAKU	R-2493	29690	Camshaft sprocket (36 teeth, 1/2" pitch)	1	5.35



TIMING AND GENERATOR GEARS AND CHAIN



INTAKE MANIFOLD AND HEATER

NOARA	R-2494	20x55	Camshaft sprocket to camshaft flange cap screw (5/16" x 18 x 3/4")	3	.04q
NOAWF	R-2495	27770	Generator sprocket with thrust plug (14 teeth, 1/2" pitch)	1	5.60

INTAKE MANIFOLD

NOBDO	R-2525	35485	Intake manifold	1	19.50
NOBMY	R-2527	10x16	Intake manifold vacuum tank coupling elbow . . .	1	.15
NOBUF	R-2528	85521	Intake manifold to cylinder gasket	6	.04q
NOCBO	R-2529	20x629	Intake manifold to cylinder connection cap screw (5/16" x 18 x 1 5/8")	12	.03q